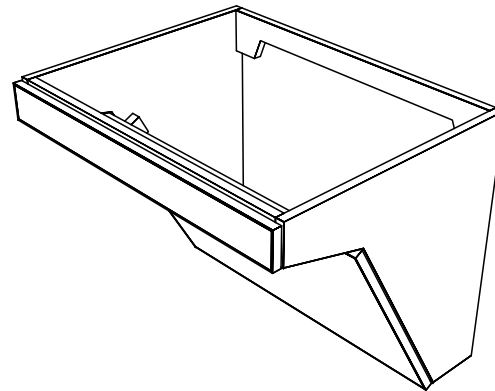
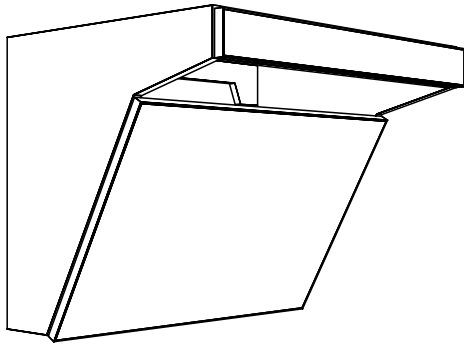


TYPICAL SPECIFICATIONS:

MIN WIDTH - 30"  
MAX WIDTH - 48"

MIN HEIGHT - 23.5"  
MAX HEIGHT - 23.5"

MIN DEPTH - 21"  
MAX DEPTH - 24"



**\*\* NOTE \*\***

CERTAIN ALTERATIONS MADE TO CABINET SUCH AS RESIZING DRAWER FRONT TO MATCH ADJACENT CABINETS WILL RESULT IN A NON ADA COMPLIANT SINK.